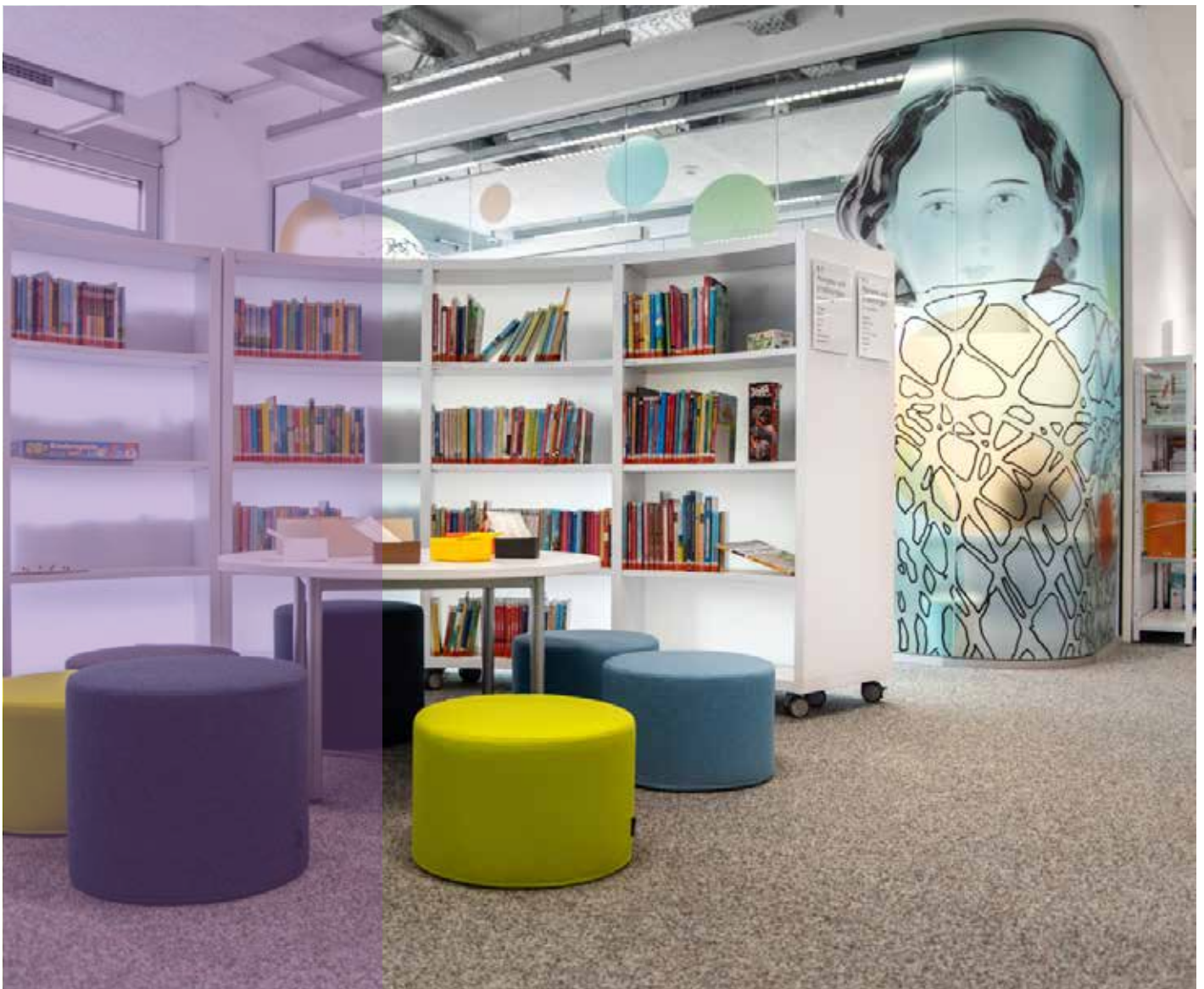




# INFORM 26°ROUND

01.01.2024



# INFORM ROUND SHELVING

Versatility and fun are what Inform Round shelving is all about.

This shelving system offers dynamic change for your library or school environment while adding valuable display or book storage options and also helps to define creative or collaborative areas.

This simple and timeless system fits perfect with our Ratio line of shelving, as well as the Inform counter, table and search station. Together, they encapsulate the true meaning of flexibility. The modular construction provides the highest degree of functionality and versatility, while the various melamine options are highlighted by the acrylic back panels.

The double-sided Inform Round shelving system is available in three heights with adjustable feet and in two heights with castors. The design of the shelving system allows for easy assembly and adjustment without the use of specific tools.



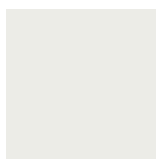
# INDEX

- DESIGN OPTIONS** ..... 4
- TECHNICAL SPECIFICATIONS** ..... 6
- DIMENSION** ..... 7
- CONFIGURATION OPTIONS** ..... 8
- INFORM ROUND CONFIGURATIONS**
  - Curved - with adjustable feet ..... 10
  - Curved - with castors ..... 11
  - Wave - with adjustable feet ..... 12
  - Wave - with castors ..... 13
- SHELVES**
  - Inner shelves ..... 15
  - Outer shelves ..... 15
  - Clip-on sign ..... 15

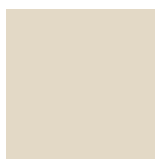
# DESIGN OPTIONS

## WOODEN COMPONENTS - MELAMINE

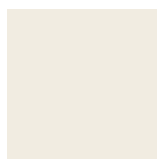
### A PRICE GROUP - BASIS PRICE



**D61**  
**Signal white**  
RAL 9003



**D72**  
**Oyster white**  
Similar to RAL 1013



**D62**  
**Pure white**  
Similar to RAL 9010



**D63**  
**Steel blue**  
RAL 5011



**D71**  
**Dusty grey**  
Similar to RAL 7037



**D16**  
**Basalt grey**  
Similar to RAL 7012



**D19**  
**Slate grey**  
Similar to RAL 7015 and  
RAL 7016



**D04**  
**Beech decor**



**D05**  
**Maple decor**



**D06**  
**Cherry decor**



**D07**  
**Oak decor**



**D08**  
**Olive decor**

### C PRICE GROUP - BASIS PRICE WITH 10% SURCHARGE



**D64**  
**Signal yellow**  
RAL 1003



**D65**  
**Yellow orange**  
RAL 2000



**D66**  
**Pure orange**  
RAL 2004



**D67**  
**Traffic red**  
RAL 3020



**E02**  
**Ruby red**  
Similar to RAL 3003



**D13**  
**Lime green**  
Similar to NCS S1060-G40Y



**D68**  
**Reseda green**  
Similar to RAL 6011



**D14**  
**Crystal blue**  
Similar to NCS S1020-R90B



**D73**  
**Pigeon blue**  
RAL 5014



**D74**  
**Ocean blue**  
Similar to RAL 5020



**D69**  
**Light grey**  
Similar to RAL 7035



**D70**  
**White aluminium**  
Similar to RAL 9006

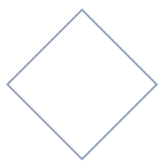


**D75**  
**Jet black**  
Similar to RAL 9005

# DESIGN OPTIONS

ACRYLIC COMPONENTS

## **A** PRICE GROUP - BASIS PRICE



**030**  
Crystal clear



**046**  
Frost white



**047**  
Arctic blue



**048**  
Paprika red

# TECHNICAL SPECIFICATIONS

## GENERAL SPECIFICATIONS

### MAXIMUM LOAD

Wooden shelves are to be loaded with a maximum of 60 kg.

### SHELVES

Bay H1096 must have four shelves (top and bottom) and bay H1512 or higher must have six shelves (top, intermediate and bottom) screwed into the panels for stability. The remaining shelves can be inserted via pins.

### ASSEMBLY

All shelving units come knocked-down. No special fittings or tools are needed.

### CASTORS

2 bays: 10 castors in total; 6 with brakes, 4 without brakes (placed in the centre).

3 bays: 14 castors in total; 8 with brakes, 6 without brakes (placed in the centre).

## WOODEN COMPONENTS

The surface of the wooden components is melamine coated. They are conformed to the norm EN 13986 of material type P2 and must only be used indoors.

### MELAMINE COATED PANELS AND TOP SHELVES

are made of 38 mm E1 quality particle board and have a 2 mm ABS border.

### MELAMINE COATED SHELVES

are made of 25 mm E1 quality particle board and have a 2 mm ABS border.

## ACRYLIC COMPONENTS

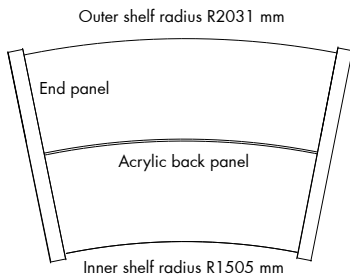
### ACRYLIC BACK PANELS

are made of 3/5 mm acrylic glass panel (depending on colour), known as Plexiglas XT®. This material is conformed with the EU norm EN 13501-1 (classification D like the German's norm DIN 4102-1)

## CLEANING

Clean wooden-, metal- and acrylic surfaces with a damp cloth and wipe dry with a clean cloth. Use a water-based cleaning agent. DO NOT USE A DETERGENT!

# DIMENSIONS



Inform wooden round shelving is a double-sided shelving, that is delivered in either 2 or more adjoining bays. The round shelving is 26 degrees.

The round shelving system is delivered with either castors or adjustable feet. The depth of the shelves is 260 mm and are adjustable in 32 mm increments. Below you can see our recommendation for placing the shelves.

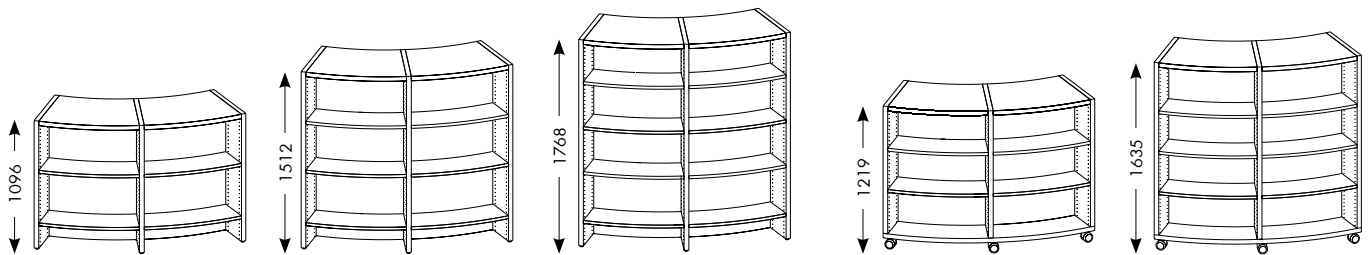
The panel comes with a flat front end. The shelves are almost flush with the panels, the distance between the front edge of the panel and the front edge of the shelf is 7 mm. The holes are placed 37 mm from the edge of the panel.

Inform round configurations are delivered as standard with 25 and 38 mm E-1 quality particle board with melamine coated finish (see Design Options page 4). The back is a 5 mm acrylic panel.

## HEIGHTS

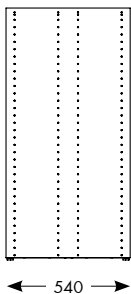
Inform round shelving with adjustable feet is available in 3 heights: 1096, 1512, and 1768 mm.

Inform round shelving with castors is available in 2 heights: 1219 and 1635 mm.



## DEPTHS

The double-sided Inform shelving is 540 mm deep with 260 mm shelf depths.

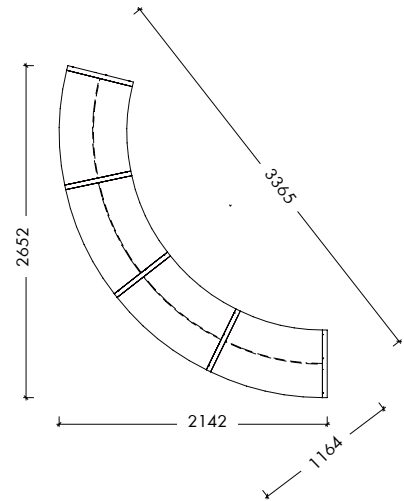
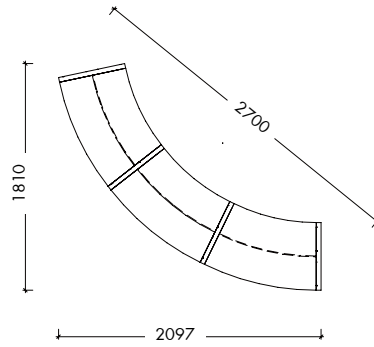
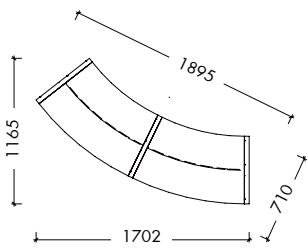


# CONFIGURATIONS & DIMENSIONS



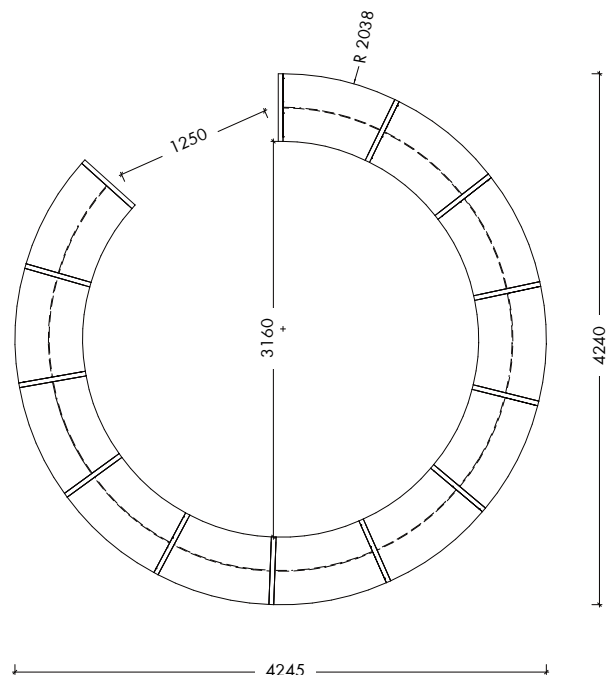
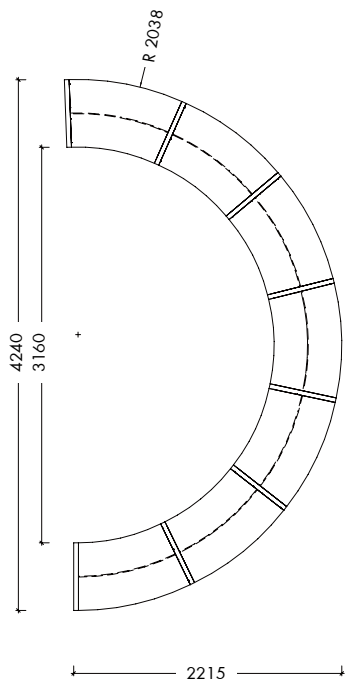
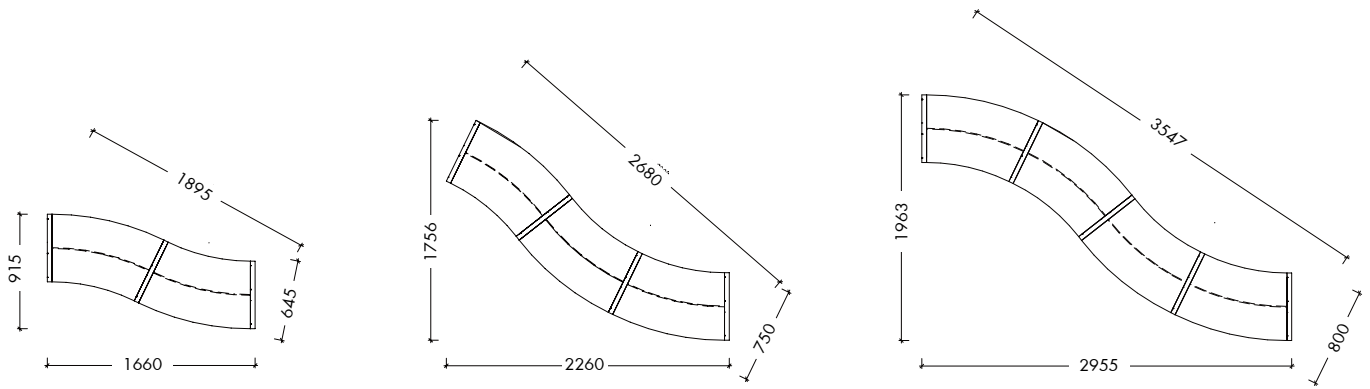
An endless option of shapes and configurations - create half circles, horse-shoes or waves.

The result – the most fun you've ever had setting up library shelving.





# CONFIGURATIONS & DIMENSIONS



# INFORM ROUND SHELVING

## CURVED WITH ADJUSTABLE FEET

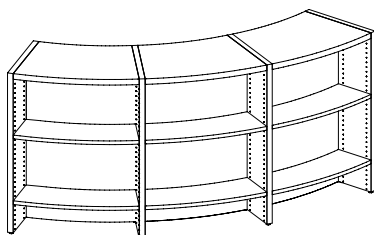
A complete shelving system with end panels, top shelves, wooden shelves with no backedge and acrylic back panel. Extra shelves can be ordered, see page 15.

### H1096 mm (1 top, 2 inner and 2 outer shelves per bay)

All shelves are mounted with screws (included).

No. of bays

Item no.



- 2
- 3
- 4
- 5
- 6
- 7
- 8
- 9

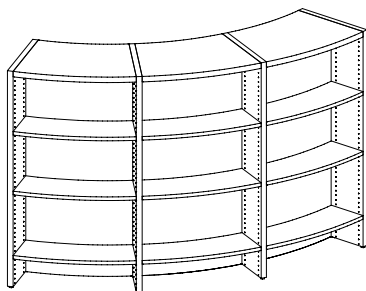
- BBI7101602026
- BBI7101603026
- BBI7101604026
- BBI7101605026
- BBI7101606026
- BBI7101607026
- BBI7101608026
- BBI7101609026

### H1512 mm (1 top, 3 inner and 3 outer shelves per bay)

In each bay, the top, bottom and the second lowest shelves are mounted with screws (included), the remaining shelves are mounted with pins (included).

No. of bays

Item no.



- 2
- 3
- 4
- 5
- 6
- 7
- 8
- 9

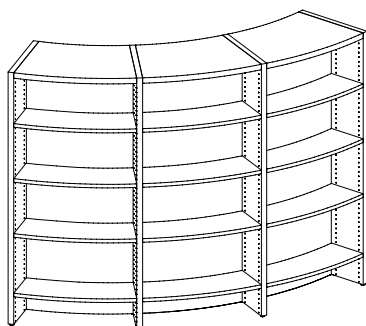
- BBI7102602036
- BBI7102603036
- BBI7102604036
- BBI7102605036
- BBI7102606036
- BBI7102607036
- BBI7102608036
- BBI7102609036

### H1768 mm (1 top, 4 inner and 4 outer shelves per bay)

In each bay, the top, bottom and the middle shelves are mounted with screws (included), the remaining shelves are mounted with pins (included).

No. of bays

Item no.



- 2
- 3
- 4
- 5
- 6
- 7
- 8
- 9

- BBI7103602046
- BBI7103603046
- BBI7103604046
- BBI7103605046
- BBI7103606046
- BBI7103607046
- BBI7103608046
- BBI7103609046

# INFORM ROUND SHELVING

## CURVED WITH CASTORS

A complete shelving system with end panels, top shelves, wooden shelves with no backedge, acrylic back panel and bottom castor plate.

---

### H1219 mm (1 top, 2 inner and 2 outer shelves on each bay and 1 full length bottom castor plate)

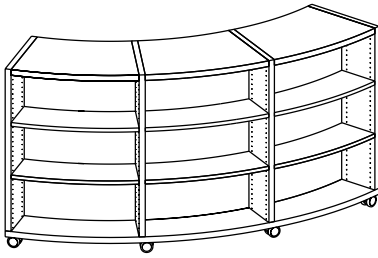
In each bay, the top and the second lowest shelves as well as the castor plate are mounted with screws (included), the remaining shelves are mounted with pins (included).

No. of  
bays

2  
3

Item no.

BBI71214602026  
BBI71214603026



---

### H1635 mm (1 top, 3 inner and 3 outer shelves on each bay and 1 full length bottom castor plate)

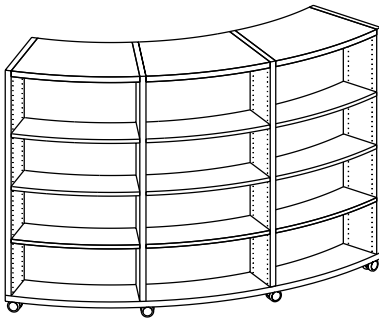
In each bay, the top and the middle shelves as well as the castor plate are mounted with screws (included), the remaining shelves are mounted with pins (included).

No. of  
bays

2  
3

Item no.

BBI71215602036  
BBI71215603036



# INFORM ROUND SHELVING

## WAVES WITH ADJUSTABLE FEET

A complete shelving system with end panels, top shelves, wooden shelves with no backedge and acrylic back panel. Extra shelves can be ordered, see page 15.

---

### H1096 mm (1 top, 2 inner and 2 outer shelves per bay)

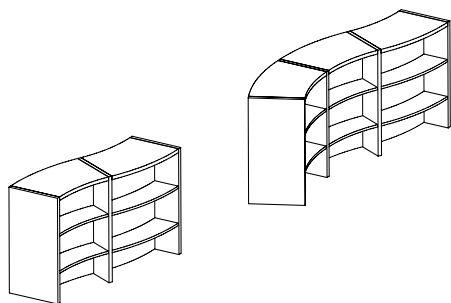
All shelves are mounted with screws (included).

No. of bays

Item no.

2  
3

BBI7101602026  
BBI7101603026



---

### H1512 mm (1 top, 3 inner and 3 outer shelves per bay)

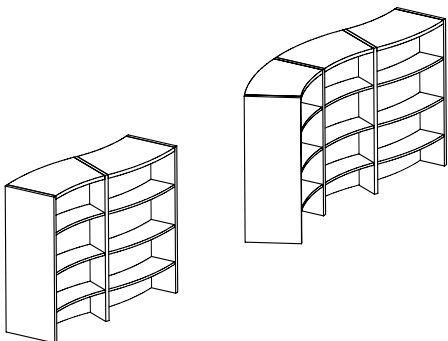
In each bay, the top, bottom and the second lowest shelves are mounted with screws (included), the remaining shelves are mounted with pins (included).

No. of bays

Item no.

2  
3

BBI7102602036  
BBI7102603036



---

### H1768 mm (1 top, 4 inner and 4 outer shelves per bay)

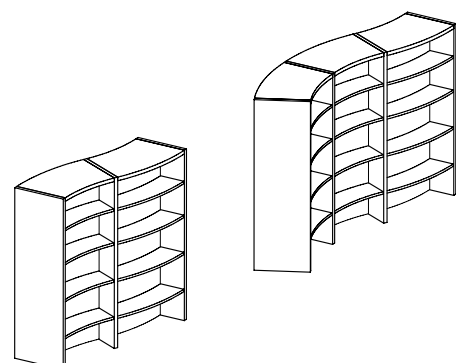
In each bay, the top, bottom and the middle shelves are mounted with screws (included), the remaining shelves are mounted with pins (included).

No. of bays

Item no.

2  
3

BBI7103602046  
BBI7103603046



# INFORM ROUND SHELVING

## WAVES WITH CASTORS

A complete shelving system with end panels, top shelves, wooden shelves with no backedge, acrylic back panel and bottom castor plate.

---

H1219 mm (1 top, 2 inner and 2 outer shelves on each bay and 1 full length bottom castor plate)

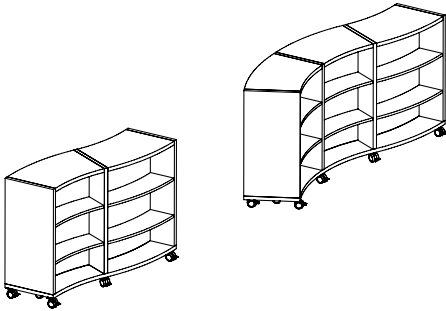
In each bay, the top and the second lowest shelves as well as the castor plate are mounted with screws (included), the remaining shelves are mounted with pins (included).

No. of bays

2  
3

Item no.

BBI71224602026  
BBI71224603026



---

H1635 mm (1 top, 3 inner and 3 outer shelves on each bay and 1 full length bottom castor plate)

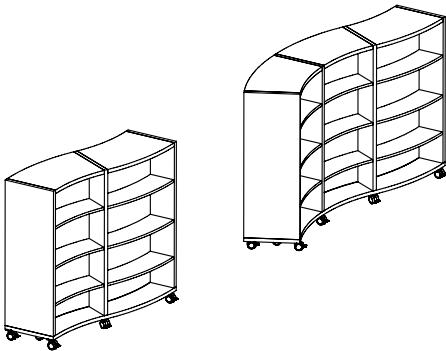
In each bay, the top and the middle shelves as well as the castor plate are mounted with screws (included), the remaining shelves are mounted with pins (included).

No. of bays

2  
3

Item no.

BBI71225602036  
BBI71225603036





# INFORM ROUND SHELVING

SHELVES

---

## Inner shelf

With pins

Item no.

BI703636



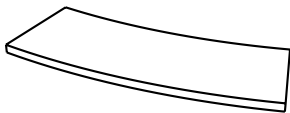
---

## Outer shelf

With pins

Item no.

BI703616



---

## Clip plastic label holder

H21 mm. Transparent, antireflective plastic. Incl. white label. Clips into groove underneath shelf. Can glide along shelf.

Width  
mm

105  
210

Item no.

B4017102  
B4017107

