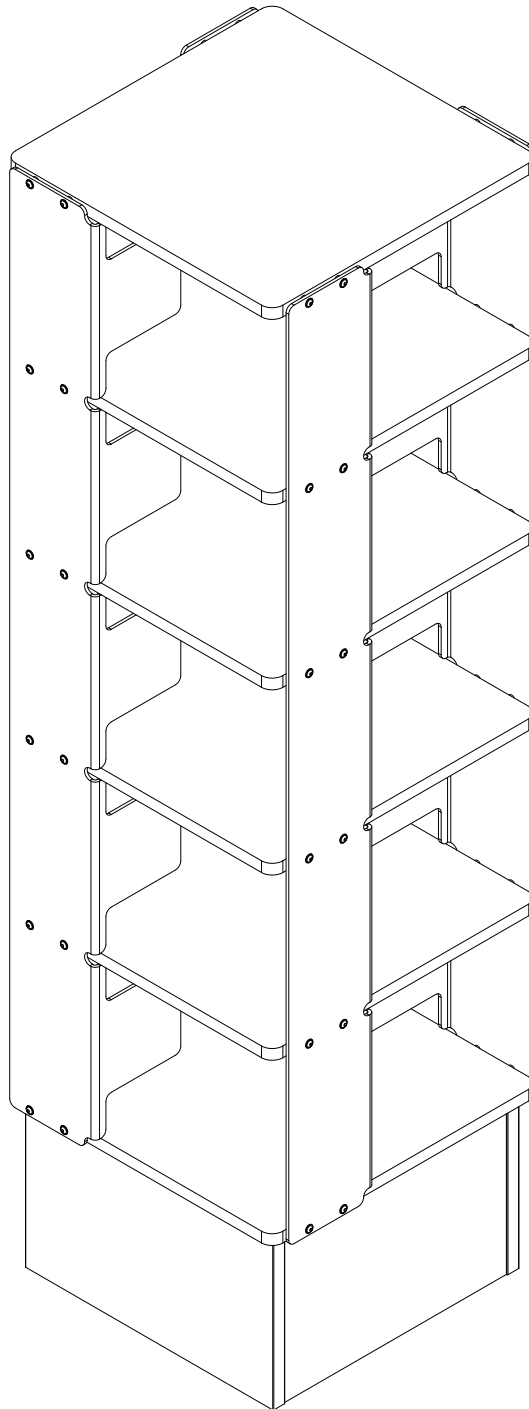




Assembly Guide

Stockholm Maxi Book tower

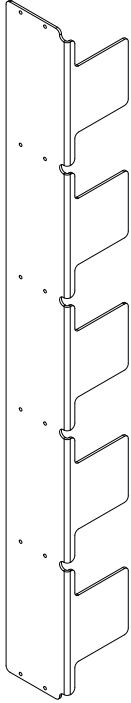


09.2023

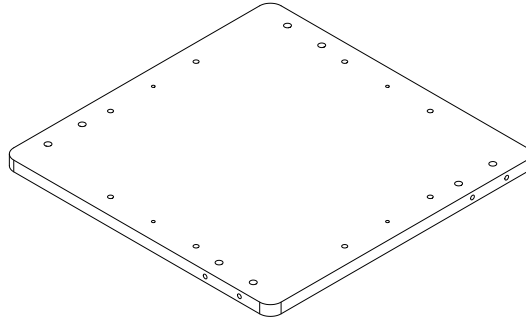
First check the contents to make sure that nothing is missing. Sort out the screws and fittings as shown. Assemble your furniture step by step, as shown in the illustrations.



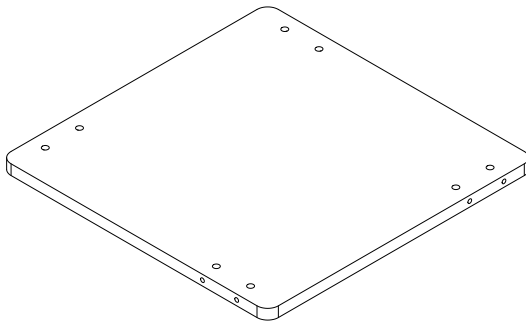
1



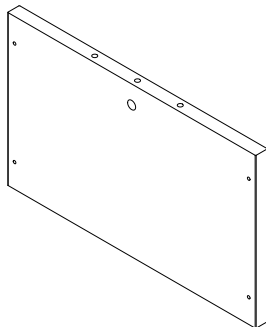
4 x A



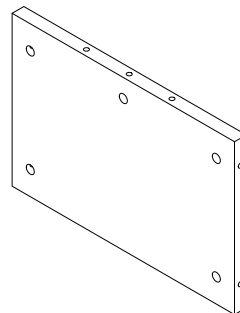
1 x B



5 x C



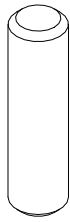
2 x D



2 x E



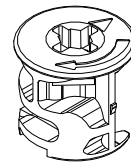
2



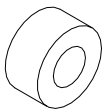
8 x F



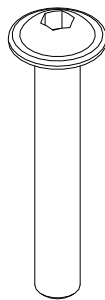
12 x G



12 x H



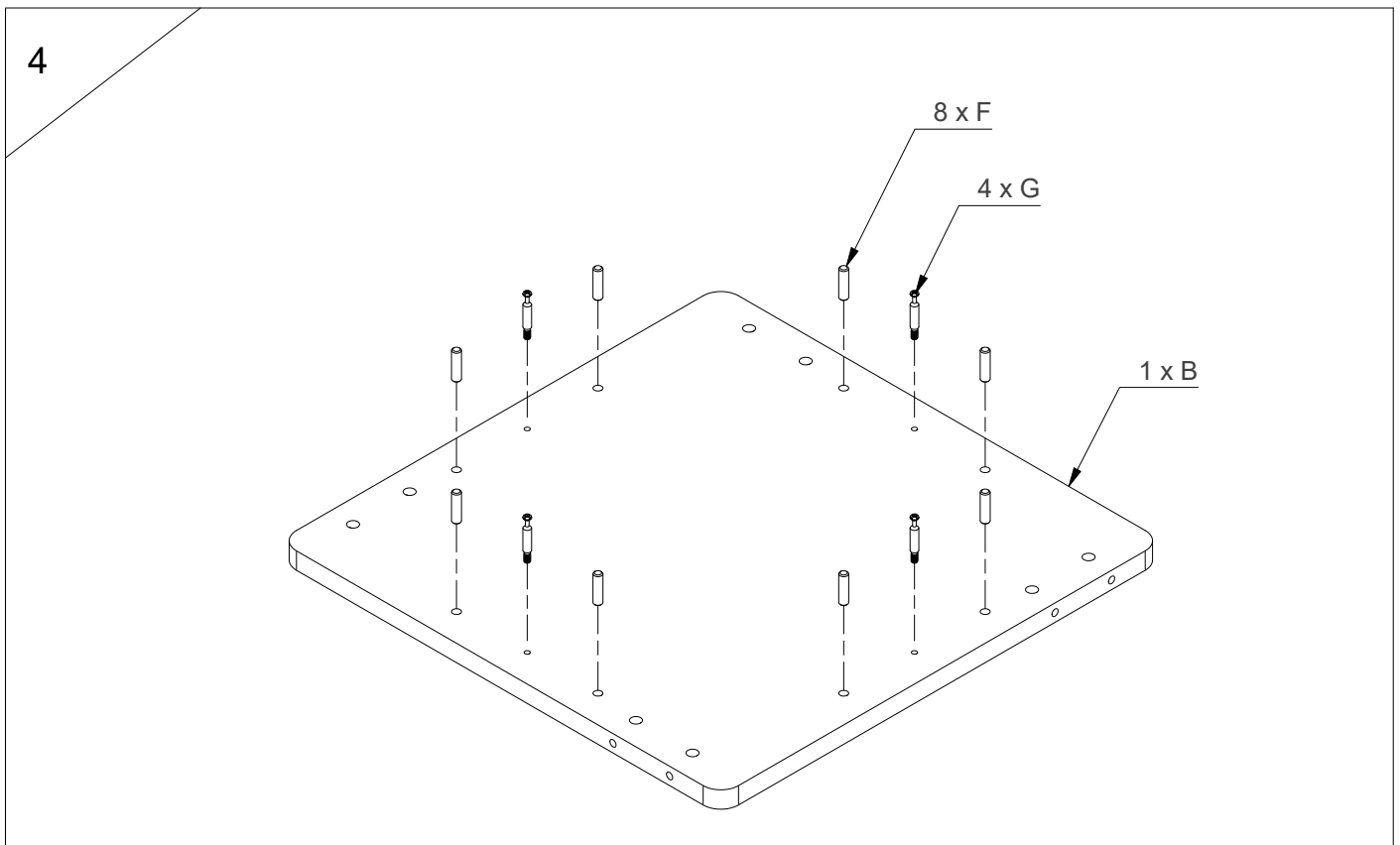
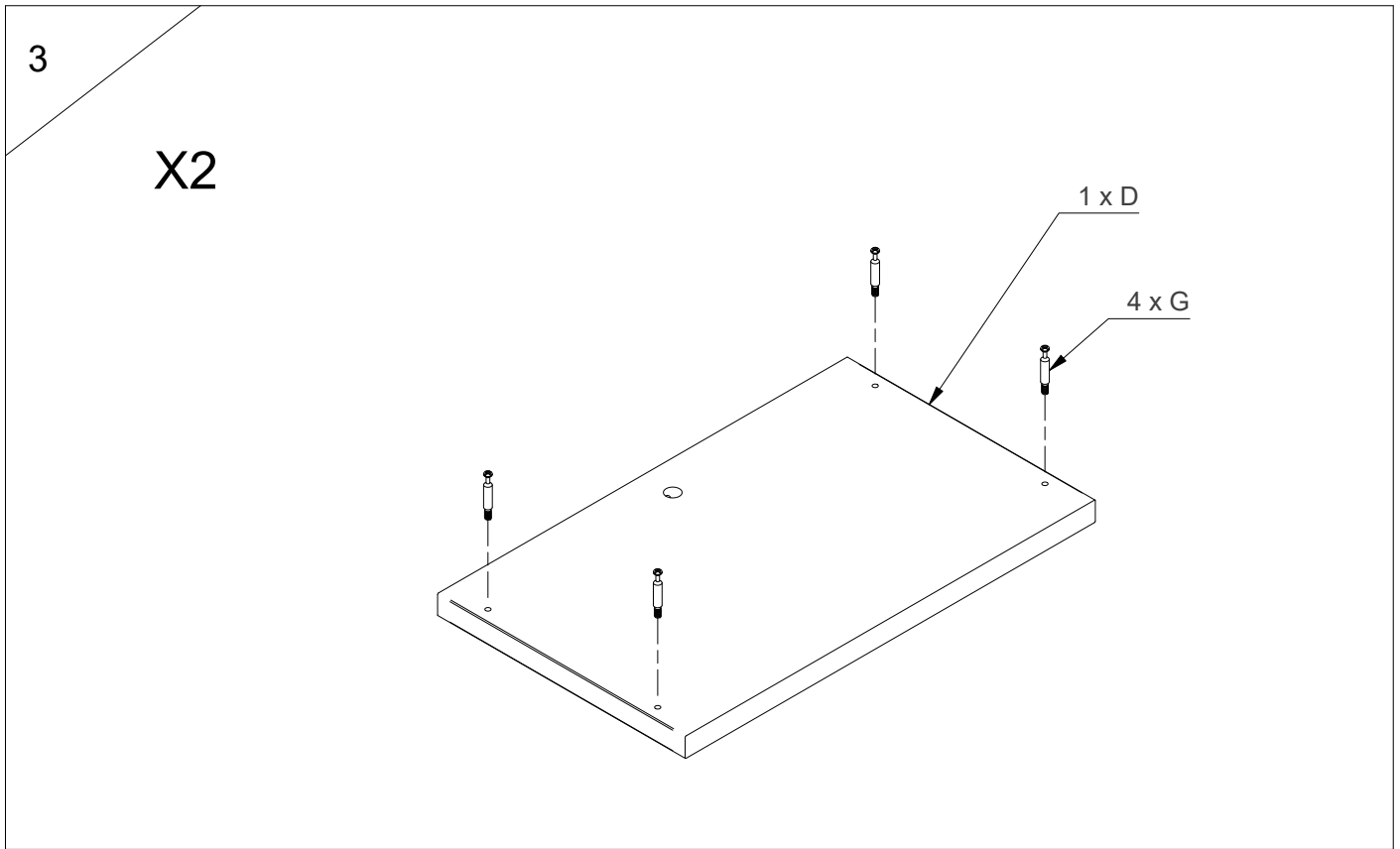
48 x I

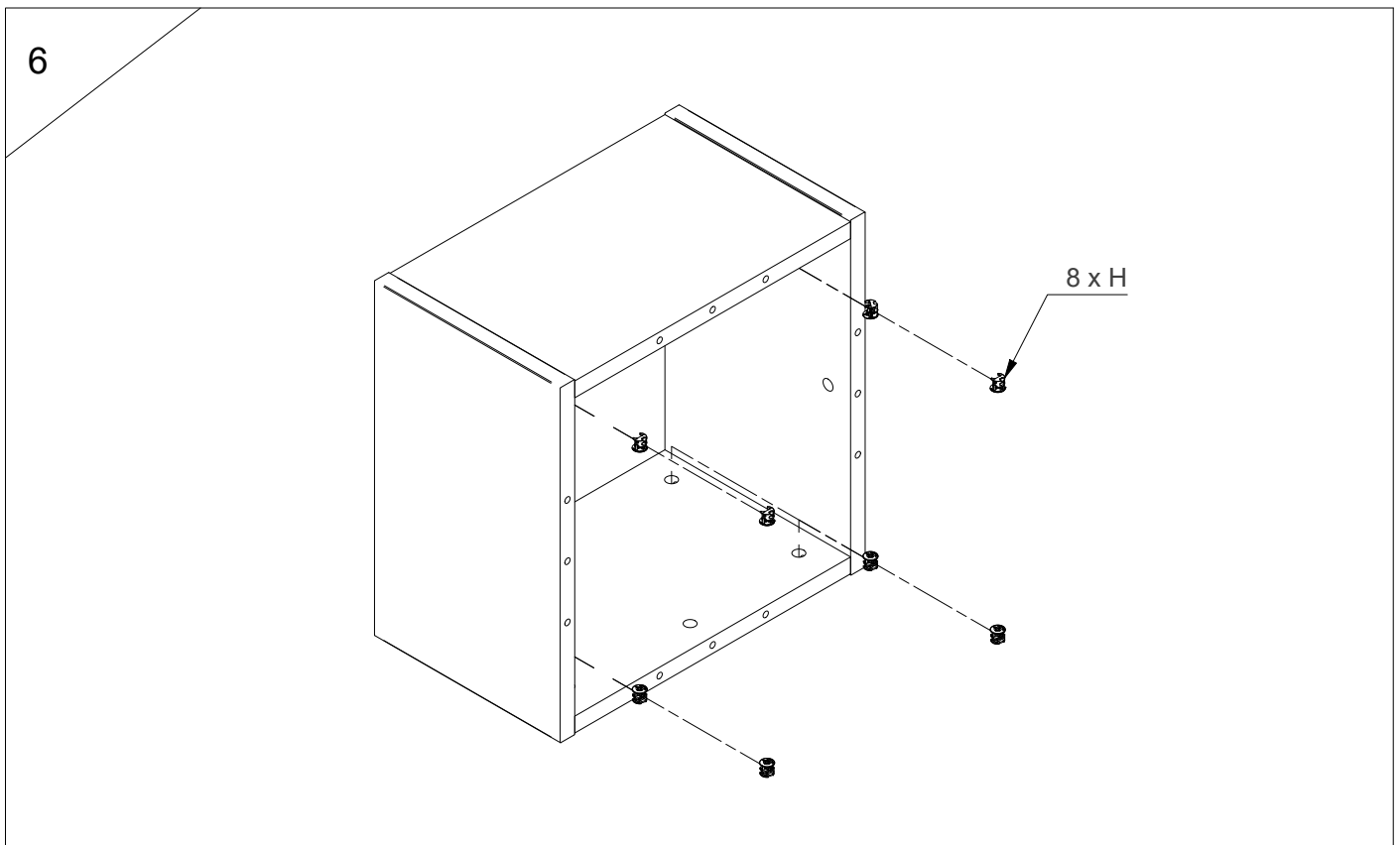
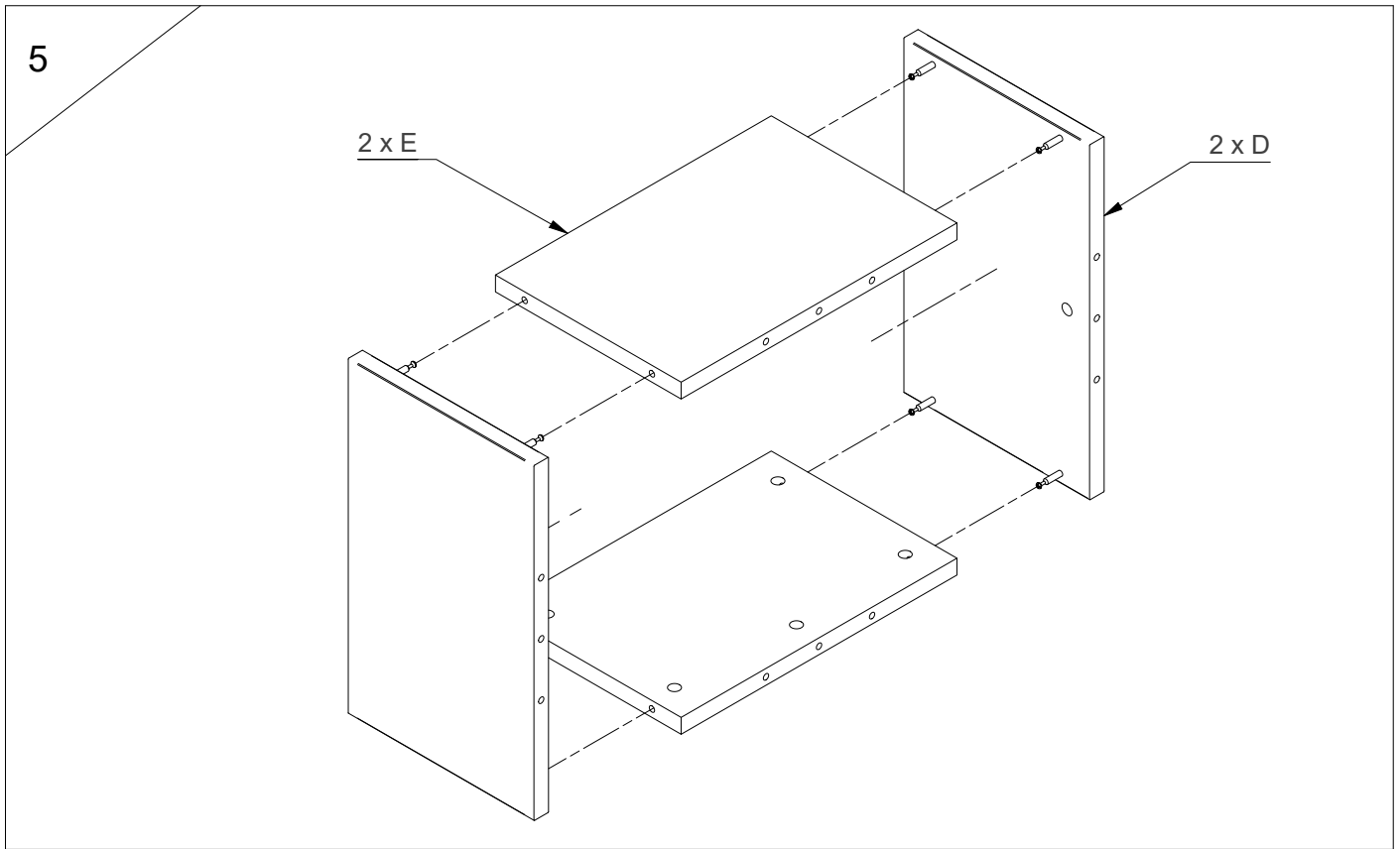


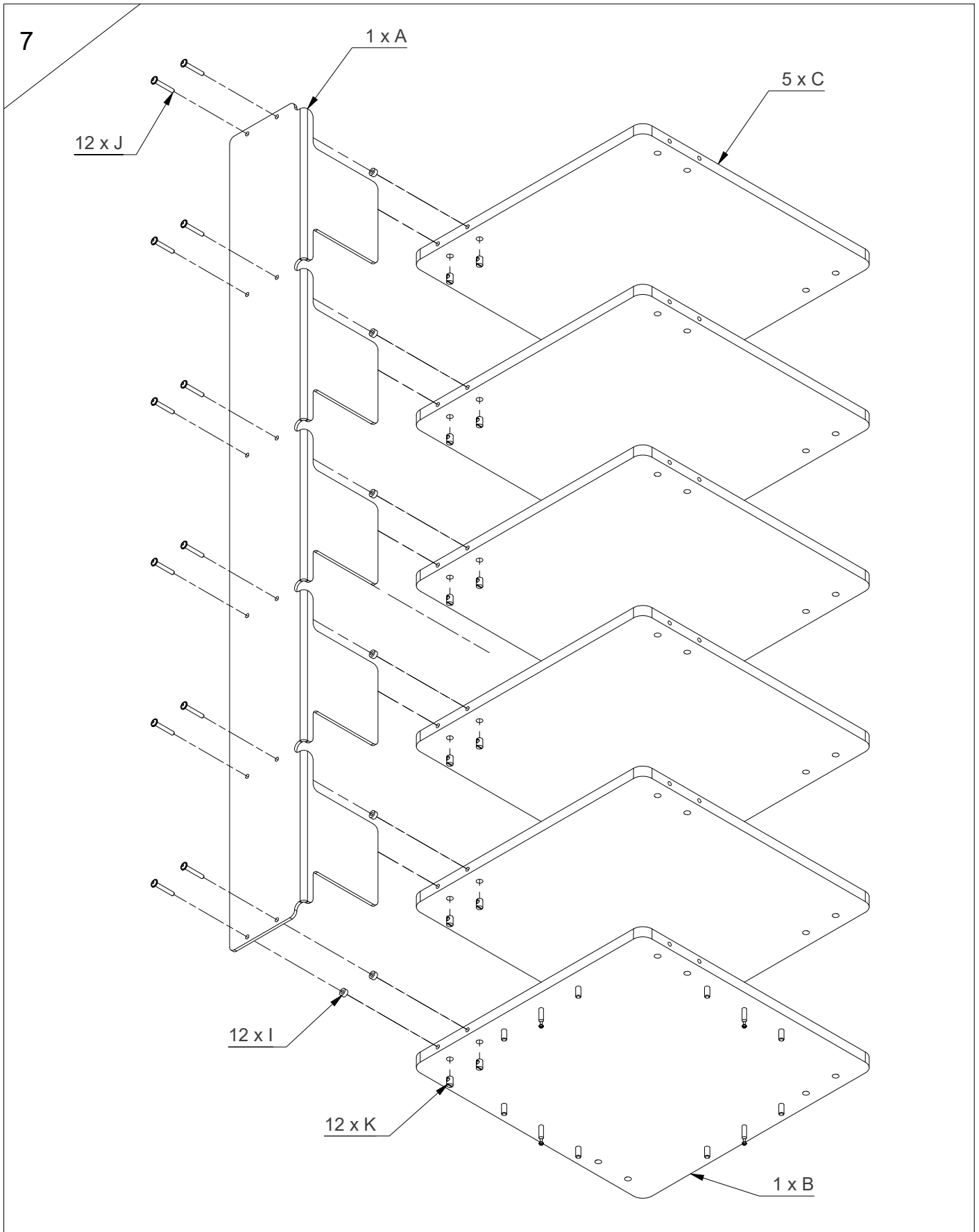
48 x J

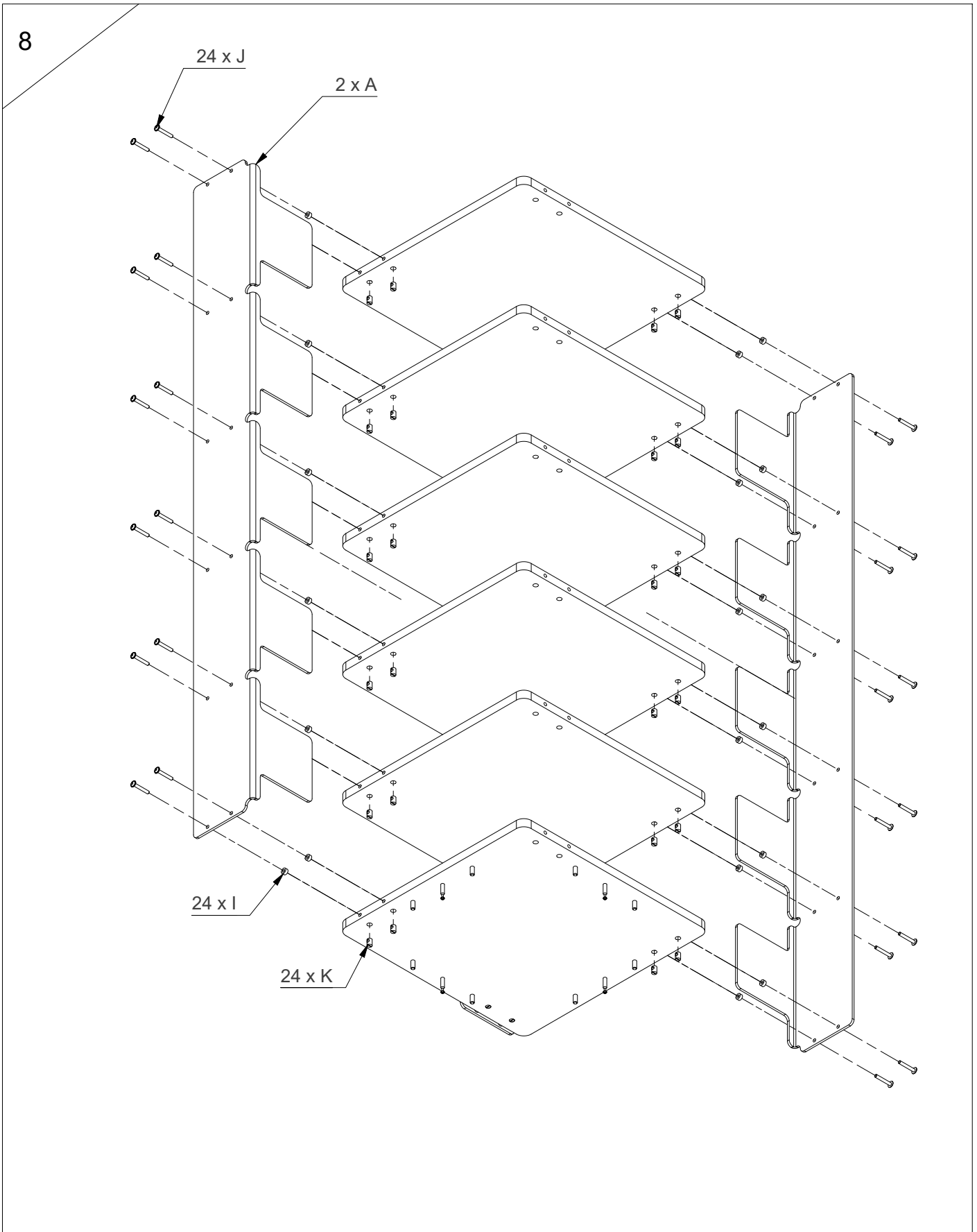


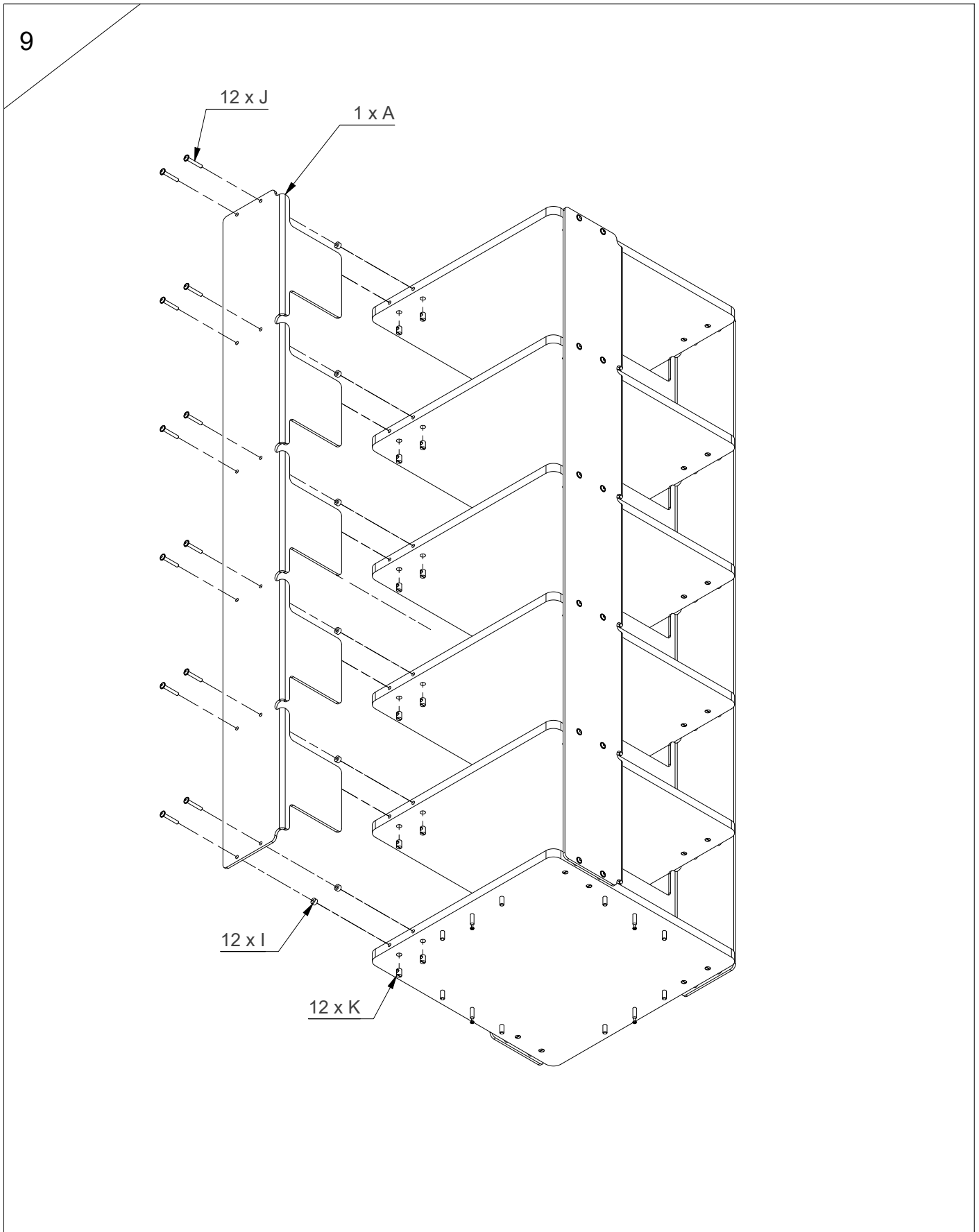
48 x K





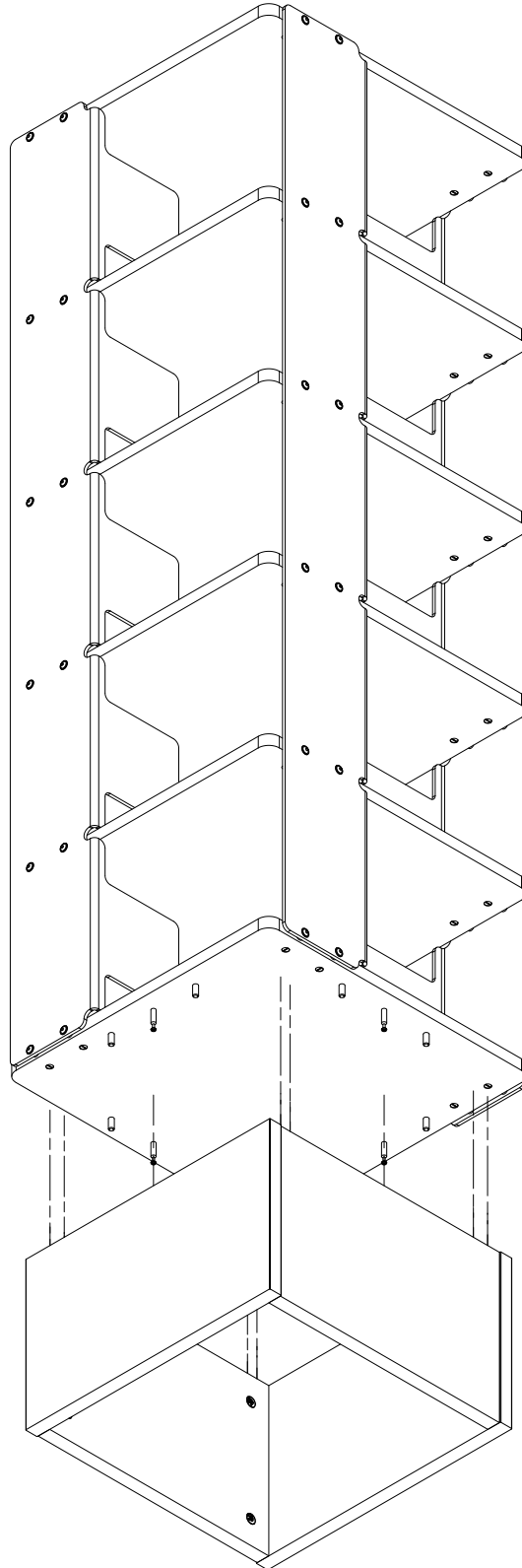








10





11

